

LARAMIE COUNTY CONSTRUCTION PERMIT APPLICATION

Laramie County Public Works Department

13797 Prairie Center Circle

Cheyenne, WY 82009

Phone: (307)-633-4302 Fax: (307)-633-4219

PERMIT # _____

PERMIT TYPE (PLEASE CHECK ONE): [] ACCESS DRIVE [] UTILITY [] ROAD CONSTRUCTION [] OTHER

Location of Work (Include County Road Number, Section/Township/Range, Lot/Block/Tract, Address)

OWNER

ADDRESS

PHONE

CONTRACTOR

ADDRESS

PHONE

ENGINEER/SUPERINTENDENT

ADDRESS

PHONE

DESCRIPTION OF WORK (Attach copy of construction drawings or construction plans)

CONDITIONS:

1. The permit holder shall notify the County prior to beginning and at completion of work.
2. Access drive locations must be clearly staked and/or marked.
3. All construction shall comply with the Wyoming Public Works Standard Specifications, latest edition, and current Laramie County Standards and Specifications.
4. All roadway construction shall comply with Standard Specifications for Road and Bridge Construction, Wyoming Highway Department, latest edition. **All cuts and/or holes will have an asphalt patch within one week after completion of the facility. If weather will not allow, Owner/Licensee will patch temporary and monitor until such time as a permanent patch can be placed.**
5. **A traffic control plan may be required. Determination shall be made by the County and shall be provided three (3) days prior to work beginning, for all work on public rights-of-way pursuant to the Manual of Uniform Traffic Control Devices, Federal Highway Administration, latest edition. ATTACH TRAFFIC CONTROL PLAN TO PERMIT.**
6. Laramie County does not waive its Government/Sovereign Immunity, as provided by any applicable law including W.S. § 1-39-101 et seq., issuing this permit. Laramie County retains all immunities and

defenses provided by law with regard to any action, whether in tort, contract or any other theory of law, based on this permit. Further, the applicant shall indemnify, defend and hold harmless Laramie County for any and all liability for injury, claim or damage which may arise out of the negligent operation, action or omission of the applicant, its officers, agents and employees, during the performance of the duties under this agreement.

7. All provisions of laws and ordinances governing the above-described type of work shall be complied with whether specified herein or not. The granting of this permit does not presume to give authority to violate or cancel the provisions of any other state or local law regulating construction or the authority of any Governing Body.
 8. CALL PUBLIC WORKS DEPARTMENT (633-4302) BEFORE BACKFILLING IN ROADWAY. MECHANICAL COMPACTION WITH MATERIAL PLACED IN LIFTS WILL BE REQUIRED.
 9. PERMIT EXPIRES SIX MONTHS FROM APPROVAL DATE. REAPPLICATION REQUIRED ON ALL EXPIRED PERMITS. (OLD PERMITS WILL BE PURGED FROM SYSTEM)
 10. PERMIT FEE INCLUDES TWO (2) INSPECTIONS.
 1. INSPECTION FOR LOCATION AND SIZE.
 2. INSPECTION FOR COMPLETION TO STANDARDS.
 11. Additional Inspections will be charged at \$25.00 per hour. Laramie County Public Works must be Notified prior to any additional work being done on site
 12. If permit requires engineering review, the review fee will be accessed at cost, for permits requiring Such review.
 13. **ACCESS DRIVE PERMIT IS COMPLETE WHEN AN ADDRESS FOR LOCATION HAS BEEN OBTAINED AND A CERTIFICATE OF ADDRESS HAS BEEN ATTACHED TO THE PERMIT. NO CONSTRUCTION OF ACCESS WILL OCCUR UNTIL APPLICATION IS COMPLETE.**
-

CULVERT INSTALLATION

Start Date: _____

Corrugated Metal Pipe with Flared Ends Required

Completion Date: _____

Required Culvert Diameter (To be determined by Public Works): _____

Required Culvert Length: Minimum Feet: _____ **Maximum Feet:** _____

I, the undersigned contractor, owner, or engineer hereby certifies that this application has been completed truthfully, that I have read the above conditions and understand them fully, and that I will take full responsibility for performance of the type of work under this permit. I understand that failure to complete work according to terms of this permit and applicable law or regulation may result in the county completing said work or removing nonconforming work. The costs or such County action shall be imposed upon my organization or me. I further understand that failure to comply with the terms and conditions of this permit or any other applicable law or regulation may be subject me to criminal penalty and/or any other available legal action.

Applicant Signature **Contact**or **Owner** **Engineer** **Date**

Approved Signature (Laramie County Public Works) **Title** **Date**

Note: This permit does not apply to utilities as regulated by the Public Service Commission. A Laramie County Utility License is required prior to commencing utility work on County property and County right-of-way.

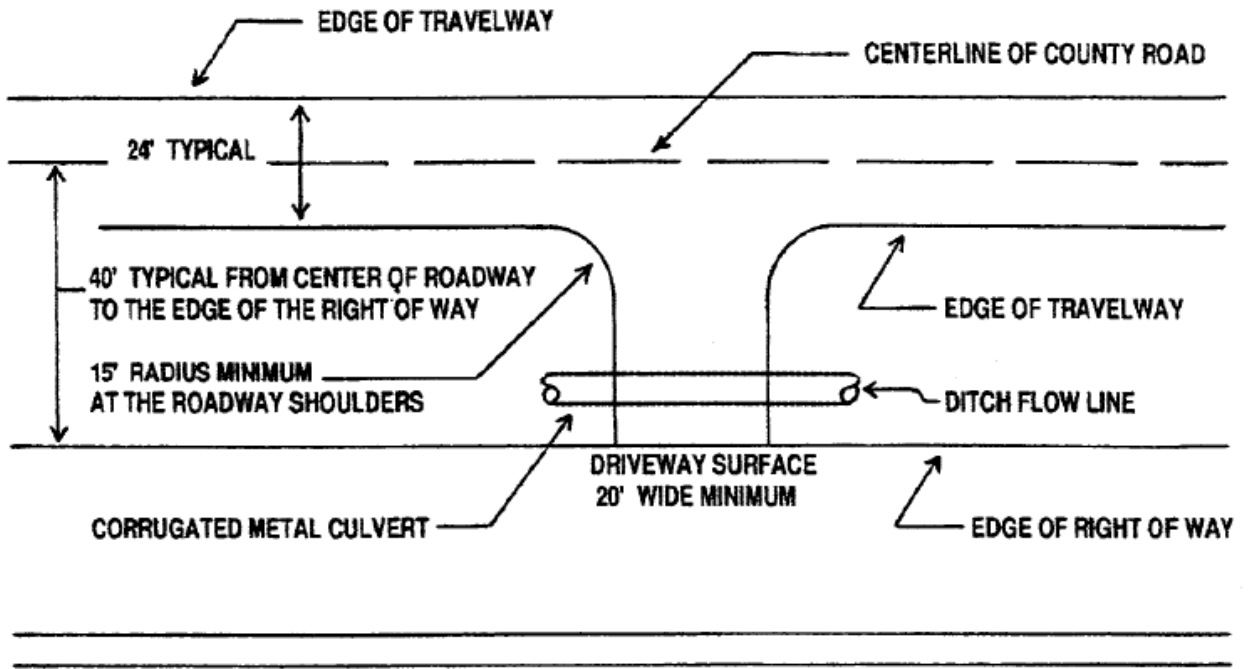
LARAMIE COUNTY STANDARD RURAL APPROACH ROADS AND ACCESS DRIVES

A Construction Permit shall be obtained from this office if any work is to be done for a new or modified driveway. No person shall commence work on the construction, alteration, repair or removal of any driveway approach from Public or County roads without a permit being obtained from the Public Works Department. It is recommended that all driveways be installed prior to building construction. In order to protect the safety of the traveling public, all approach roads and access drives connecting to county roads in rural areas of Laramie County shall be constructed to the following standards and specifications:

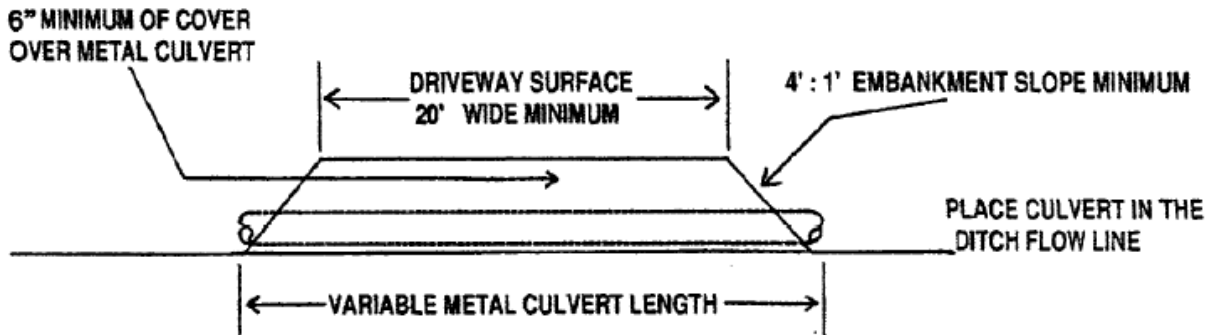
Approaches shall have a roadbed width of not less than **twenty (20) feet** and a maximum of **thirty-six (36)** with a minimum radius of **fifteen (15) feet** at the roadway shoulders. Embankment slopes shall have a minimum slope of **four (4) feet** horizontal to **one (1) foot** vertical. Slopes will be dressed and compacted. Deviations from these standard dimensions will be approved on an individual basis. All approach locations will be inspected prior to construction. The inspection will determine the size, type and location of culvert. A drainage pipe will be required and shall be placed in the approach fill if the approach blocks the road ditch so that overtopping of the approach will occur from the flood water of a storm of **two (2)** year frequency. The pipe shall be placed at the constructed flow line of the ditch. **The pipe shall be corrugated metal culvert with Flared ends.**

No fixed obstructions shall be placed within thirty (30) feet of the edge of the county road travelway except for approved mailbox assemblies or fencing at the right-of-way line. **Approach pipe headwalls constructed of wood, brick, stone, concrete or other permanent materials are prohibited.** Adherence to standards for Location of Driveways, Driveway Profiles and Sight Distance as contained in "Cheyenne and Laramie County Wyoming Road, Street & Site Planning Design Standards" shall also be required.

STANDARD DESIGN



TYPICAL CROSS SECTION



(CULVERT LENGTH DEPENDS ON THE WIDTH OF THE DRIVEWAY SURFACE AND THE DEPTH OF THE DITCH)

NOTE : (DRIVEWAY SURFACE)
3" OF CRUSHED ROAD BASE MINIMUM